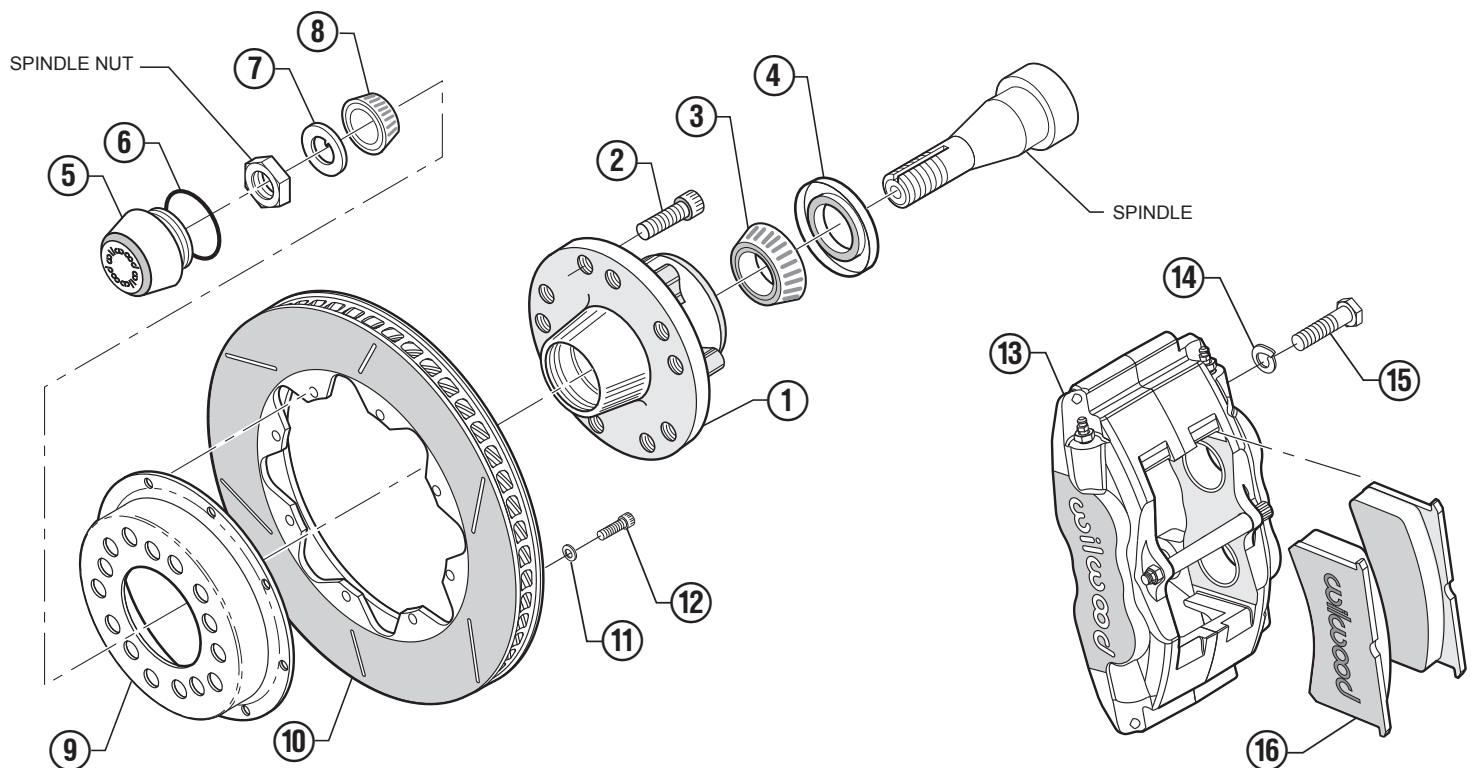


# Typical 11.75" and 12.19" Zero Offset™ Installation with Superlite Calipers.



NOTE 1: ROTORS CAN BE PURCHASED PLAIN, SLOTTED ONLY, DRILLED AND SLOTTED OR FLOATING.  
 NOTE 2: ROTORS CAN BE PURCHASED WITH STRESS RELIEVED AND/OR BALANCED.  
 NOTE 3: DRAWING SHOWS TYPICAL HAT AND ROTOR FOR 11.75" AND 12.19" ROTORS WITH 8 ON 7" MOUNT.  
 NOTE 4: MOUNTING OF BRACKET WILL DEPEND ON SPINDLE APPLICATION.  
 NOTE 5: DRY FIT ALL PARTS BEFORE FINAL ASSEMBLY.  
 NOTE 6: SEE SPECIFICATIONS FOR TORQUE REQUIREMENTS ON BOLTS WITH SAFETY WIRE OR LOCTITE.